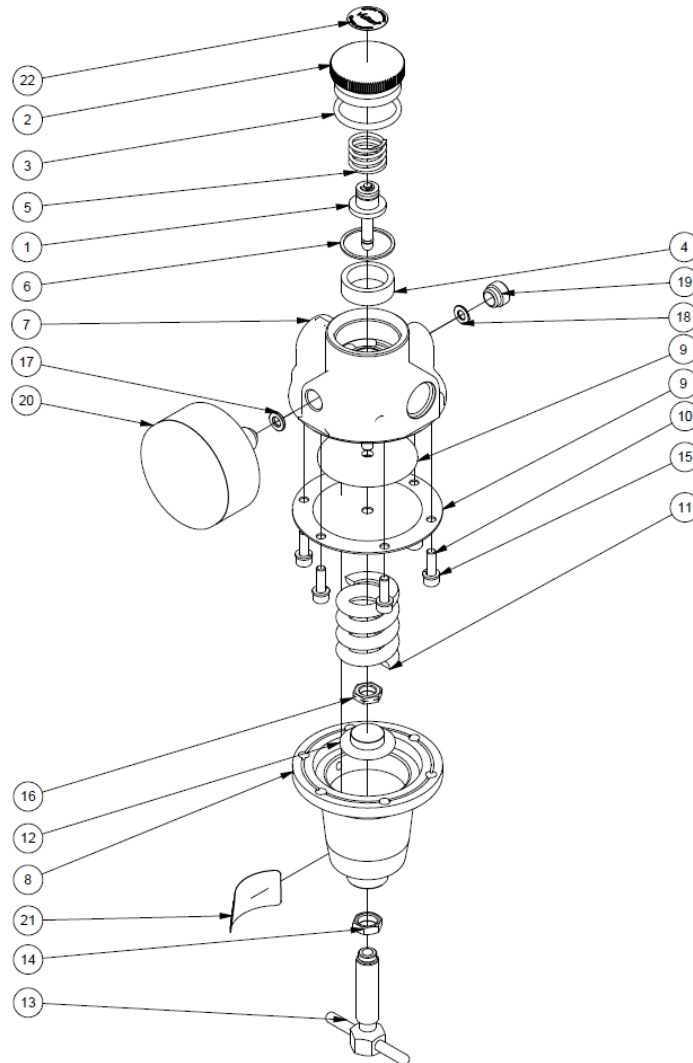
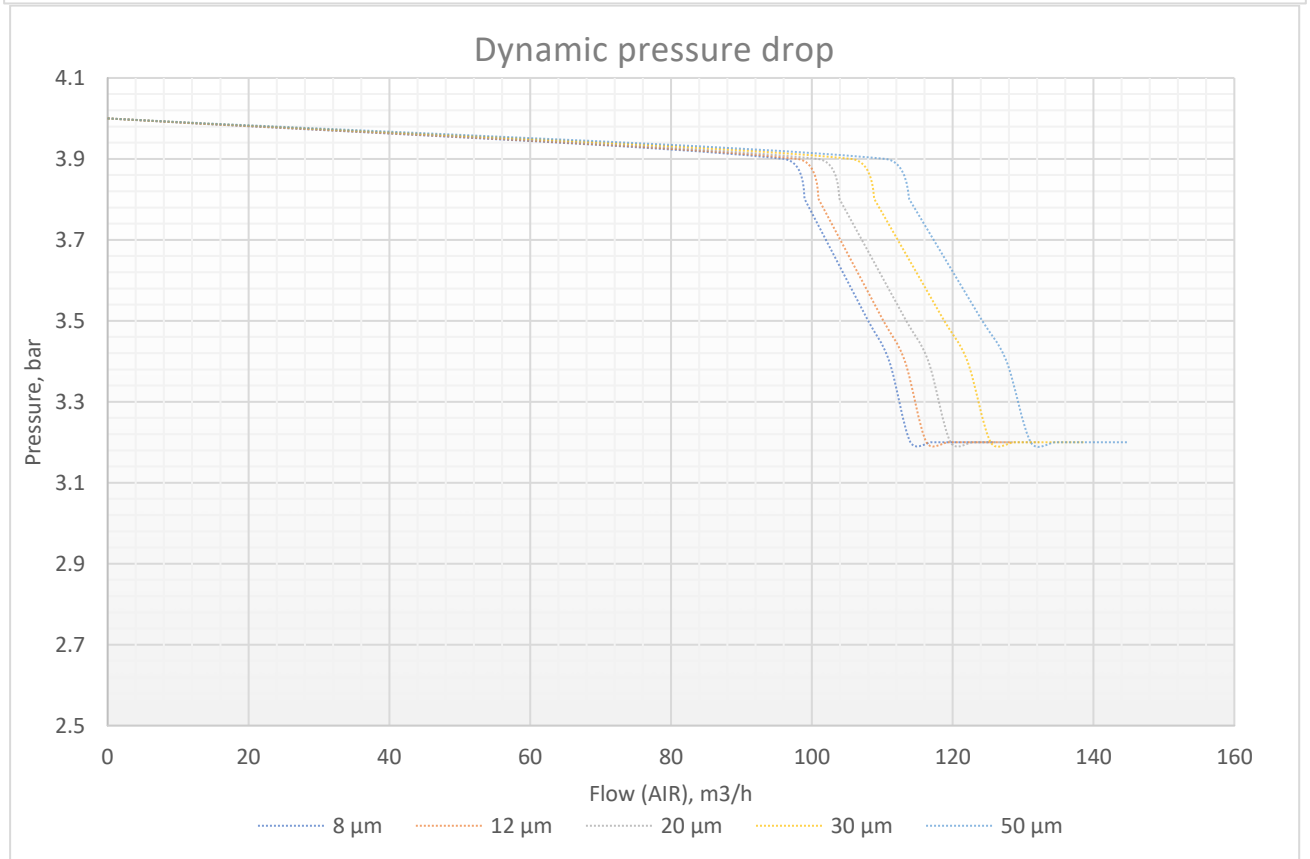
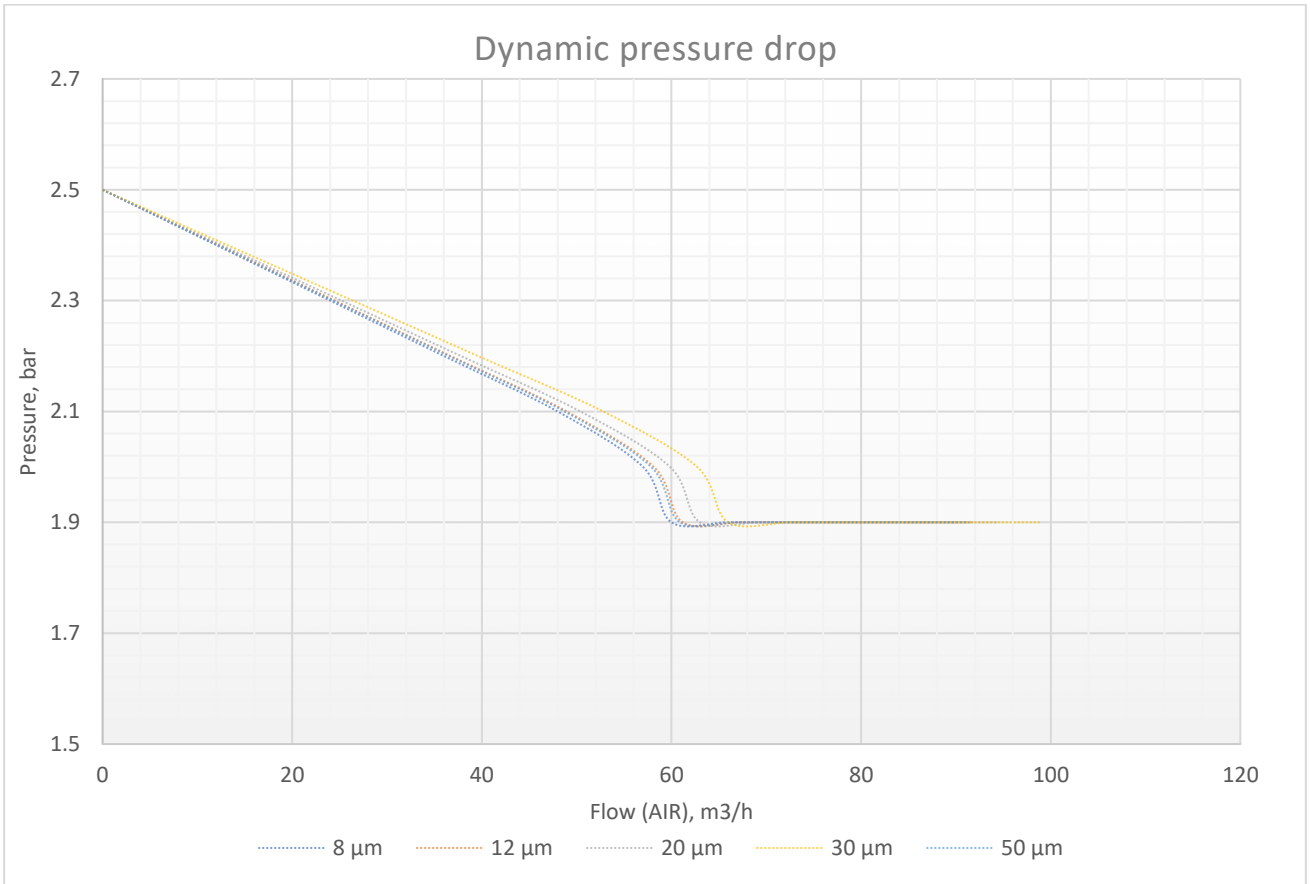


GT4010 Data Sheet

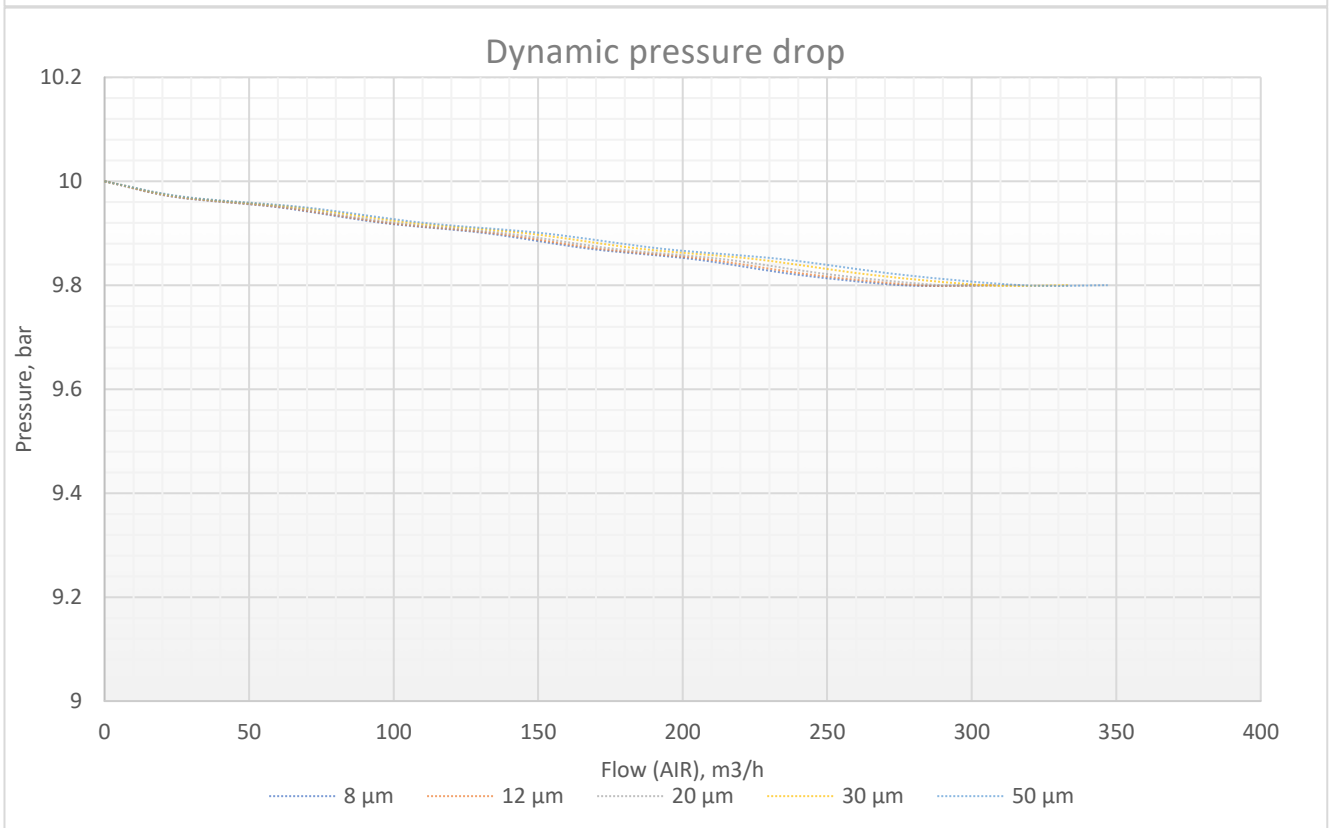
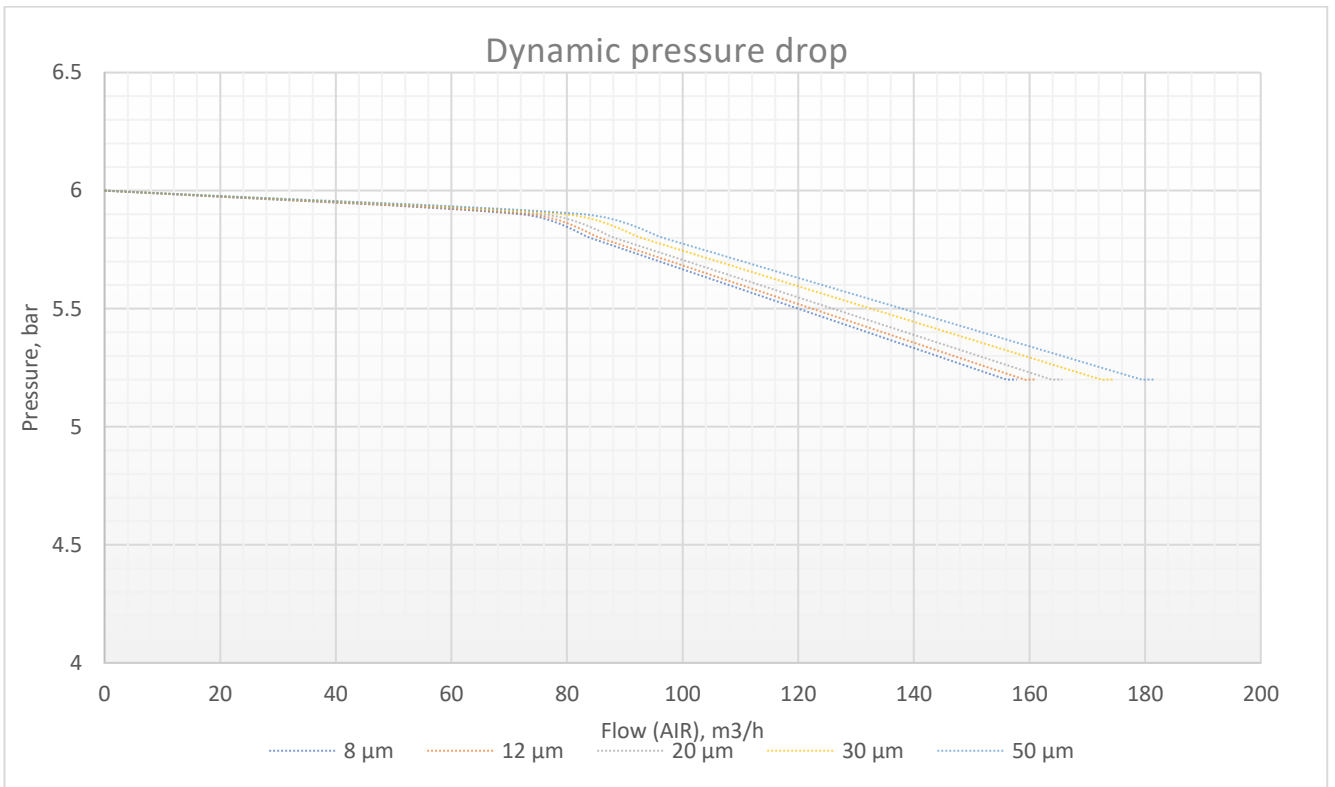
| | | | |
|--|--|------------------------------|---|
| <i>Description</i> | In-Line Regulator Gastek® GT4010 | | |
| <i>Type of model</i> | Single stage | | |
| <i>Body material</i> | Brass CW617N CuZn40Pb2 2.0402 Brass + Chrome Plated Stainless Steel 1.4404 AISI 316L | | |
| <i>Pressure gauge P1</i> | No | | |
| <i>Working gauge P2</i> | 0-4/2.5 bar 0-6/4.0 bar 0-10/6.0 bar | | 0-16/10.0 bar 0-40/20.0 bar 0-60/40.0 bar |
| <i>Max. inlet pressure</i> | max. 40 bar | | |
| <i>Working pressure</i> | 0.5 – 10.0 bar adjustable | | |
| <i>Max. output flow</i> Compressed air | P ₂ = 2.5 bar Q = 100 m ³ /h P ₂ = 4. bar Q = 150 m ³ /h P ₂ = 6.0 bar Q = 180 m ³ /h | | P ₂ = 10.0 bar Q = 350 m ³ /h P ₂ = 20.0 bar Q = 500 m ³ /h P ₂ = 35.0 bar Q = 600 m ³ /h |
| <i>Relief valve</i> | No | | |
| <i>Packing</i> | Single packed | | |
| <i>Approx. Dimensions</i> (L x H x B) | 85 x 170 x 125 mm | | |
| <i>Inlet/outlet connection</i> | Available in both | NPT ½ female NPT ½ female | & NPT ¾ female NPT ¾ female |
| <i>Weight approx.</i> | 1,5 kg | | |
| <i>Seals</i> | Perbunan | | |
| <i>Membrane Diaphragm</i> | NBR or Stainless steel 1.4404 AISI 316L | | |
| <i>Internal filter</i> | 8 µm 12µm 20 µm 30µm 50µm | | |
| <i>Leakage rate</i> | 1x10 ⁻³ mbar l/s | | |
| <i>Temperature</i> | -35 to +150 °C | | |
| <i>Options</i> | Pressure transducer | | |
| | <p>The product corresponds to the pressure equipment directive 2014/68/EU and is manufactured according to article 4, clause 3 following the 'sound engineering practice', and may not be CE-marked</p> <p>The regulator fulfils the requirements of Regulation (EC) 1935/2004, Regulation (EC) 2023/2006 and LFGB and is approved for contact with food-suitable gases.</p> | | |
| | | | |



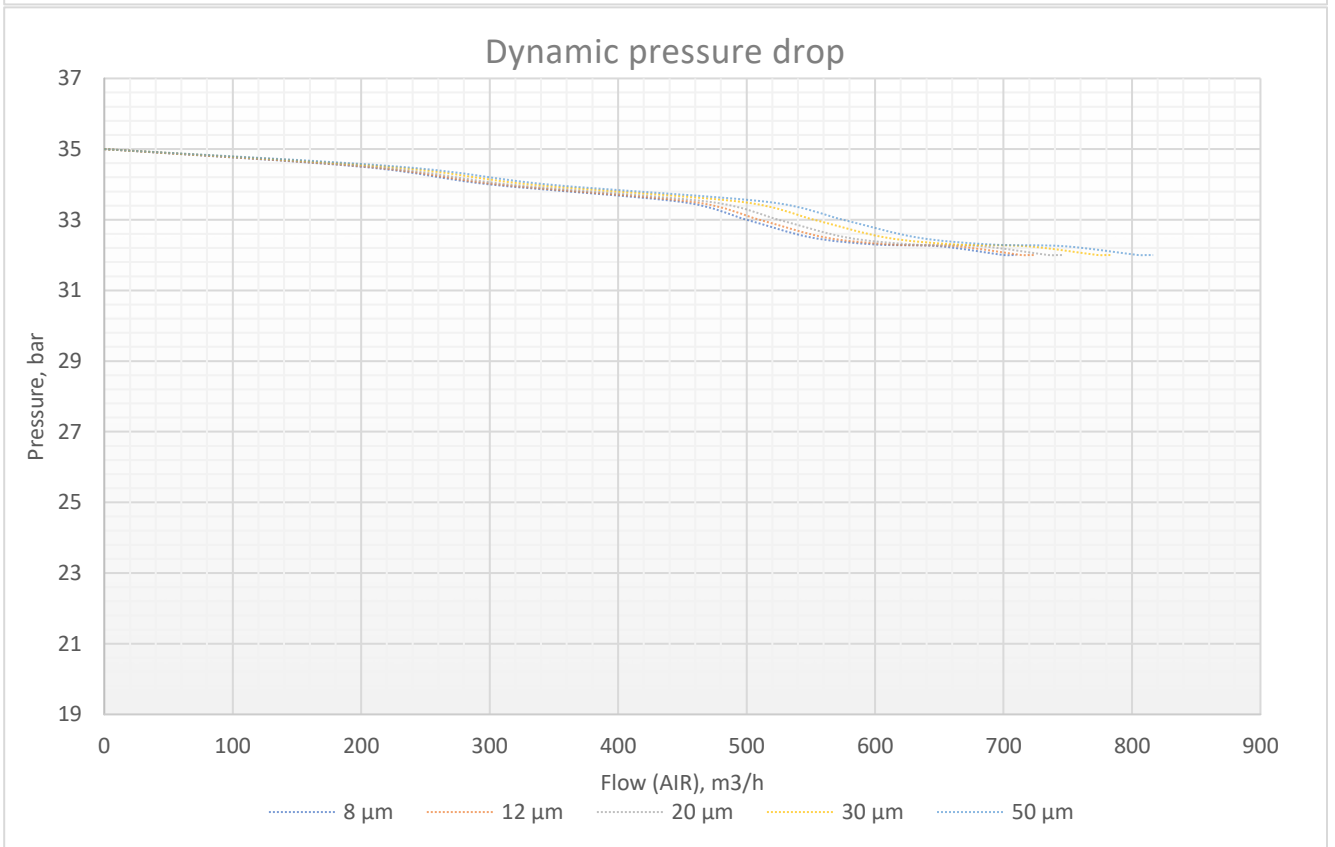
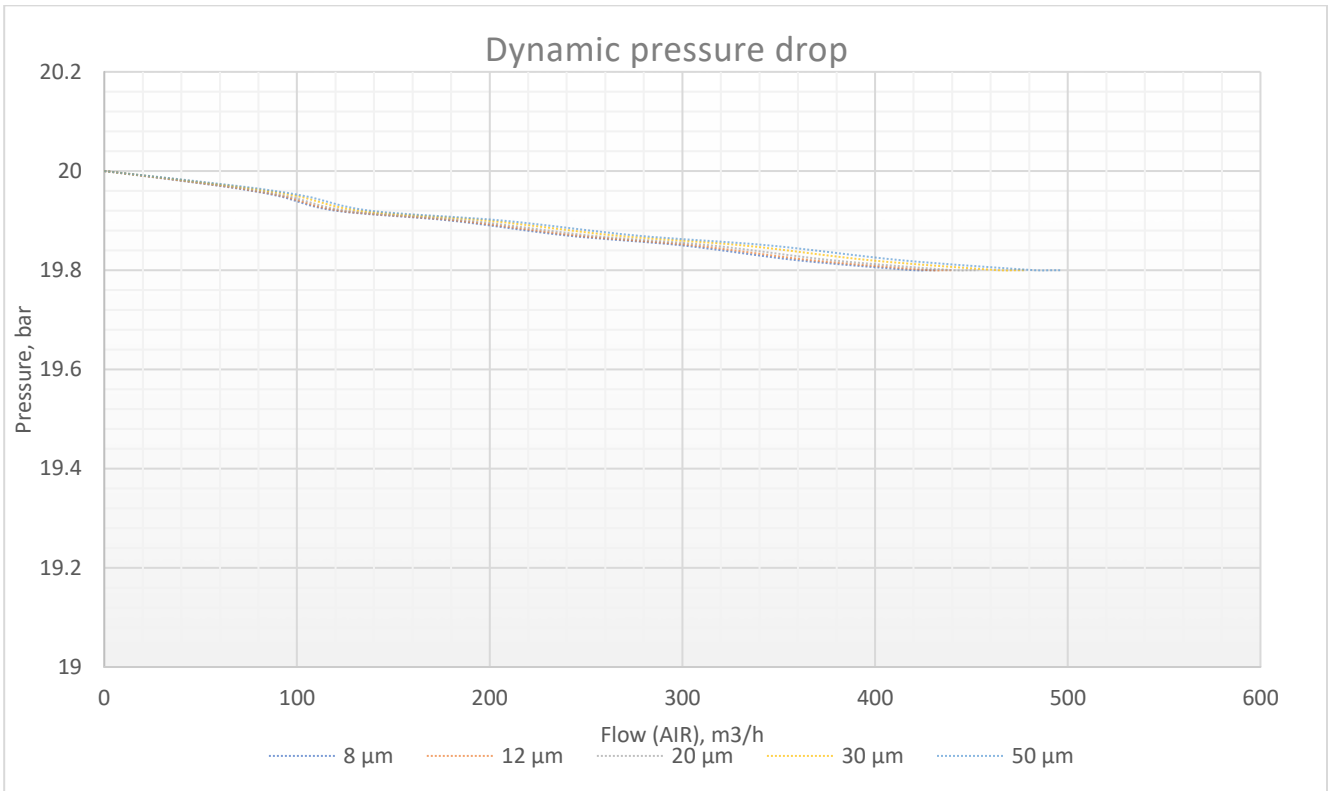
| | |
|----|------------------------------------|
| 1 | Cone |
| 2 | Screw plug |
| 3 | O-ring |
| 4 | Filter |
| 5 | Spring |
| 6 | Seal |
| 7 | Housing |
| 8 | Valve cover with regulating insert |
| 9 | Membrane |
| 10 | Cylinder head screw |
| 11 | Regulating spring |
| 12 | Spring plate |
| 13 | Regulating screw |
| 14 | Lock nut |
| 15 | Spring ring |
| 16 | Nut |
| 17 | Seal |
| 18 | Seal |
| 19 | Blind plug |
| 20 | Pressure gauge |



Subject to changes without notice. errors excluded. all rights reserved!

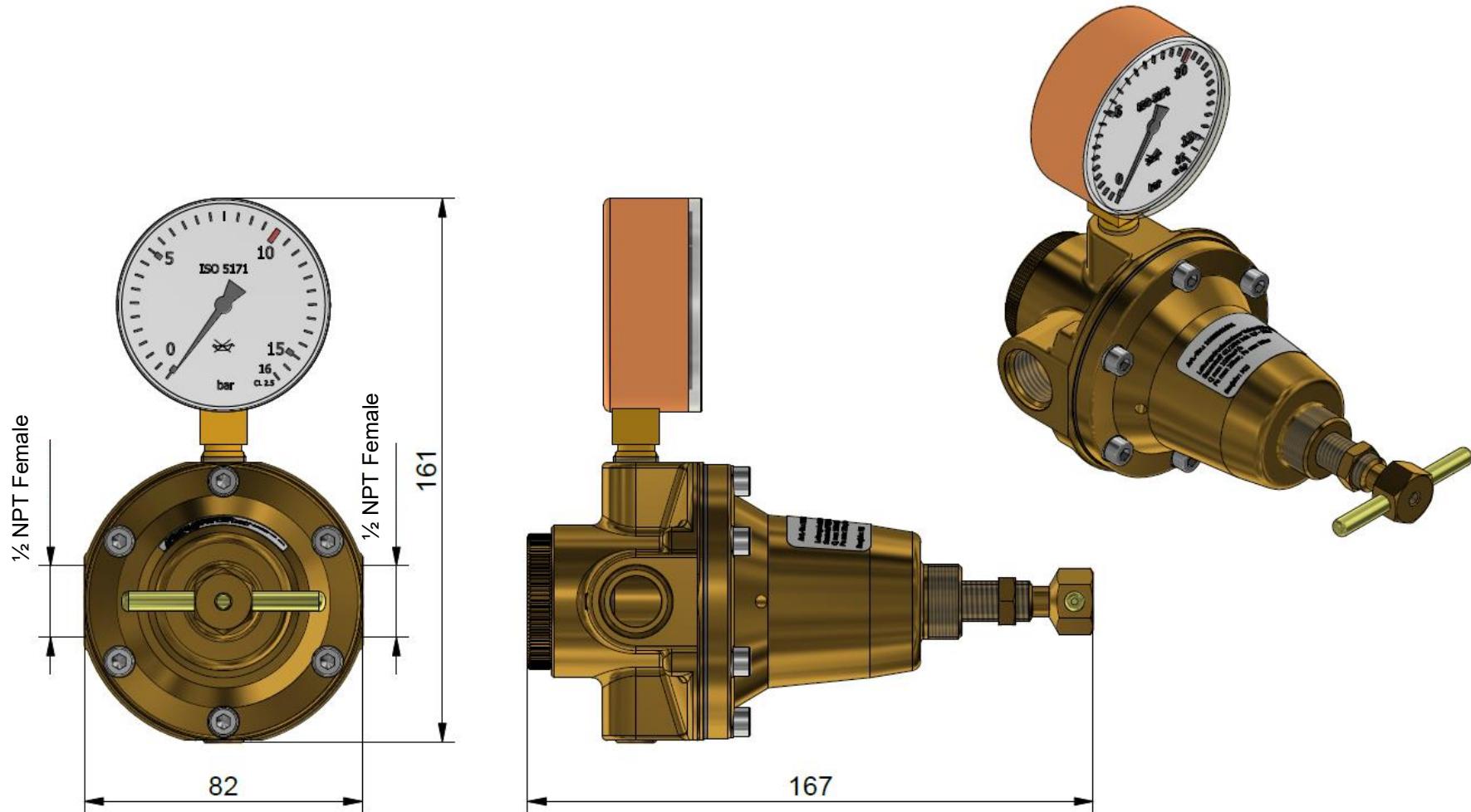


Subject to changes without notice, errors excluded, all rights reserved!

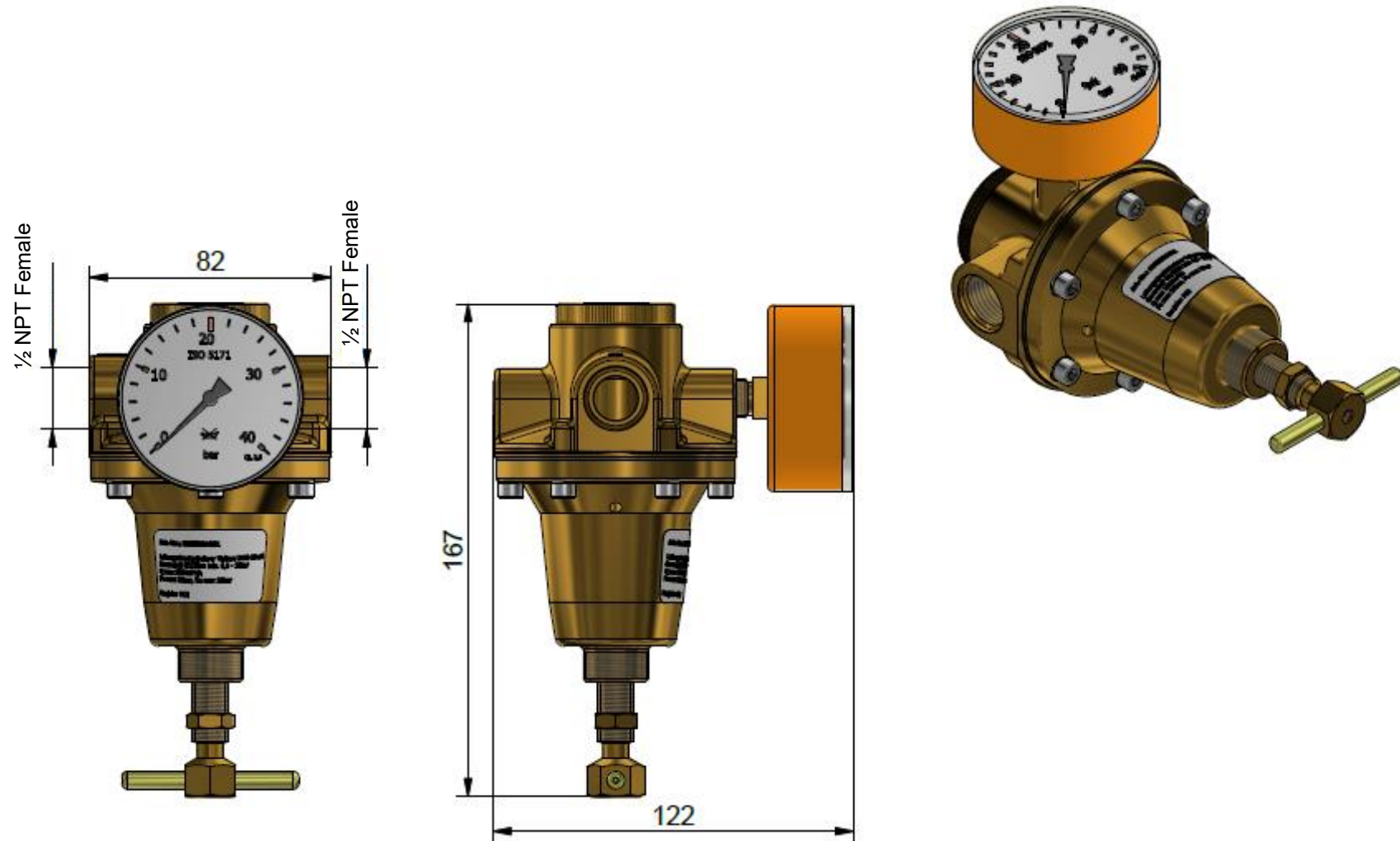


Subject to changes without notice, errors excluded, all rights reserved!

GT4010-HFFV (Horizontal Flow, Front Valve)

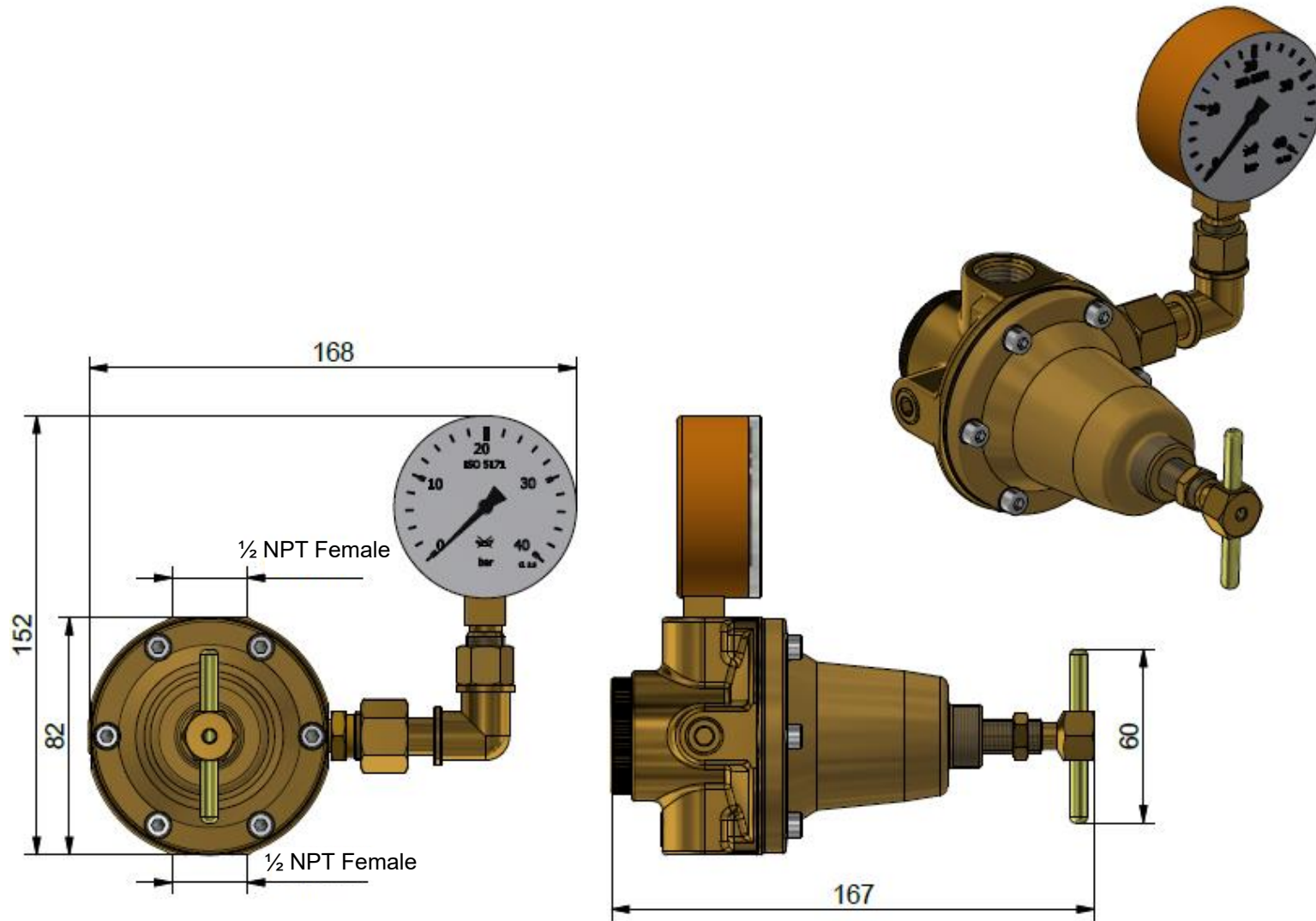


GT4010-HFBV (Horizontal Flow, Bottom Valve)



Subject to changes without notice, errors excluded, all rights reserved!

GT4010-VFBV (Vertical Flow, Bottom Valve)



Subject to changes without notice, errors excluded, all rights reserved!