

**MW1801 / MW 1901-HD**



**MASTERWELD**

[www.masterweld.co.uk](http://www.masterweld.co.uk)

<b>1. GENERAL INFORMATION</b>	<b>2</b>
1.1. PURPOSE OF THE MANUAL	2
1.2. KEY OF SYMBOLS USED	2
1.3. DEFINITION OF THE OPERATORS QUALIFICATIONS	3
1.4. GLOSSARY	3
1.5. ATTACHED DOCUMENTATION	4
1.6. WARRANTY	4
<b>2. SAFETY INFORMATION</b>	<b>5</b>
2.1. RESIDUAL RISKS	5
2.2. GENERAL SAFETY WARNINGS	5
2.3. SAFETY WARNINGS FOR HANDLING, ASSEMBLY AND INSTALLATION	5
2.4. SAFETY WARNINGS FOR INTENDED USE	5
2.5. SAFETY WARNINGS FOR ADJUSTMENT/MAINTENANCE	5
2.6. SAFETY WARNING FOR ENVIRONMENTAL IMPACT	6
2.7. SAFETY SIGNS PLACED ON THE MACHINE	6
<b>3. HANDLING, ASSEMBLY AND INSTALLATION INFORMATION</b>	<b>7</b>
3.1. DIRECTIONS FOR HANDLING THE PACKAGE	7
3.2. DIRECTIONS FOR MACHINE ASSEMBLY	7
3.3. MACHINE HANDLING MODE	8
3.4. MACHINE INSTALLATION MODE	8
3.5. ELECTRICAL CONNECTION MODE	1 0
3.6. METHODS FOR INSTALLING OPTIONAL PARTS	10
<b>4. TECHNICAL INFORMATION</b>	<b>10</b>
4.1. MANUFACTURER AND MACHINE IDENTIFICATION	10
4.1.1. Machine Identification Plate	11
4.2. MACHINE DESCRIPTION	12
4.3. OPERATING CYCLE DESCRIPTION	12
4.4. TECHNICAL DATA	13
4.4.1. Performance	13
4.4.2. Diagram and electrical values	1 3
4.4.3. Size of air inlet	1 5
4.4.4. Size of air outlet	15
4.4.5. Filter	16
4.5. SAFETY DEVICE DESCRIPTION	16
4.6. DESCRIPTION OF PERIMETER AREAS	17
<b>5. INFORMATION ON USE</b>	<b>19</b>
5.1. INTENDED USE/IMPROPER USE	19
5.2. START-UP AND STOP	19
<b>6. INFORMATION ON ADJUSTMENTS</b>	<b>20</b>
6.1. RECOMMENDATIONS FOR ADJUSTMENTS	20
6.2. FLOW RATE REGULATION	20
<b>7. MAINTENANCE INFORMATION</b>	<b>21</b>
7.1. RECOMMENDATIONS FOR MAINTENANCE INTERVENTIONS	21
7.2. TABLE OF SCHEDULED MAINTENANCE INTERVALS	21
7.3. CLEANING	21
<b>8. INFORMATION ON TROUBLESHOOTING</b>	<b>22</b>
<b>9. INFORMATION ON REPLACEMENTS</b>	<b>23</b>
9.1. REQUESTING AFTER-SALES ASSISTANCE	23
9.2. RECOMMENDATIONS FOR REPLACEMENT INTERVENTIONS	24
9.3. LIST OF REPLACEABLE COMPONENTS	24
9.3.1. Standard	24
9.3.2. Optional	27
9.4. SCRAPPING AND DECOMMISSIONING	27



## 1. GENERAL INFORMATION

### 1.1. PURPOSE OF THE MANUAL

The manual has the purpose of providing the machine installer, operator and maintenance technician, the instructions for use, prevention and reduction of risks during man-machine interaction.

OPERATOR	CHAPTERS OF THE MANUAL THAT MUST BE KNOWN
INSTALLER	<ul style="list-style-type: none"> <li>• General information</li> <li>• Safety information</li> </ul>
	<ul style="list-style-type: none"> <li>• Handling, assembly and installation information</li> <li>• Technical information</li> <li>• Information on replacements</li> </ul>
SECOND	<ul style="list-style-type: none"> <li>• General information</li> <li>• Safety information</li> <li>• Information on use</li> </ul>
	<ul style="list-style-type: none"> <li>• General information</li> <li>• Safety information</li> <li>• Handling, assembly and installation information</li> <li>• Information on use</li> <li>• Information on adjustments</li> <li>• Maintenance information</li> <li>• Information on troubleshooting</li> <li>• Information on replacements</li> </ul>
MAINTENANCE TECHNICIAN	<ul style="list-style-type: none"> <li>• General information</li> <li>• Safety information</li> <li>• Handling, assembly and installation information</li> <li>• Information on use</li> <li>• Information on adjustments</li> <li>• Maintenance information</li> <li>• Information on troubleshooting</li> <li>• Information on replacements</li> </ul>

The information was drawn-up by the Manufacturer in its original language and it can also be made available in other languages, in order to meet the legal and/or business requirements.

The documentation must be kept by the person in charge, in a suitable place, so that it is always available for consultation in the best state of preservation. If lost or worn, request replacement documentation directly from the Manufacturer.

Consult the table of contents to easily locate the specific topics of interest.

Some information may not fully correspond to the effective configuration of the delivered machine.



Any additional information that may be inserted, will not affect legibility and does not jeopardise the safety level.








The Manufacturer reserves the right to change the information without being obliged to notify it in advance, as long as such changes do not alter the safety level.

Any report by the recipients may be an important contribution for the improvement of after-sales services that the Manufacturer intends offering its customers.

Some symbols, the meanings of which are described below, are used to highlight some text or indicate significantly important specifications.

### 1.2. KEY OF SYMBOLS USED

SYMBOL	DESCRIPTION
	<p><b>Danger - Attention</b></p> <p>The symbol indicates situations of serious danger that, if neglected, may place the health and safety of people seriously at risk.</p>
	<p><b>Danger - Attention</b></p> <p>The symbol indicates situations of serious danger that, if neglected, may cause fires and place the health and safety of people seriously at risk.</p>

SYMBOL	DESCRIPTION
	<p><b>Explosion hazard</b> This symbol indicates situations of serious danger that, if neglected, may cause explosions and seriously place the health and safety of people at risk.</p>
	<p><b>Caution - Warning</b> The symbol indicates the need to adopt adequate behaviour to avoid placing the health and safety of people at risk and not cause economic damages.</p>
	<p><b>Important</b> The symbol indicates significantly important technical and operational information that must not be neglected.</p>
	Use protective gloves.
	Use safety footwear.
	Use protective mask.
	Use acoustic protection.

### 1.3. DEFINITION OF THE OPERATORS QUALIFICATIONS

Some terms that are frequently used within the manual are described in order to uniquely determine their meaning.

OPERATOR QUALIFICATION	DESCRIPTION
<b>Qualified personnel</b>	Personnel who have attended specialisation, educational and training courses and have experience concerning the installation, commissioning and maintenance of the plants.
<b>Experienced maintenance technician</b>	Technician chosen and authorised from among those having the qualifications, skills and information, to perform routine and extraordinary maintenance interventions.

### 1.4. GLOSSARY

DEFINITION	DESCRIPTION
<b>Maintenance</b>	Set of operations required to preserve the functionality and efficiency of the machine. These operations are scheduled by the Manufacturer, who defines the necessary skills and methods of intervention.
<b>Circuit breaker switch</b>	Is a safety device able to interrupt the flow of electrical current in an electrical circuit of an electrical system in the event of over-current.
<b>Filter</b>	Is the main filtration element, that can be of sleeve or cartridge type.

DEFINITION	DESCRIPTION
Hood/Dome	A rigid element available in various shapes and sizes with the function of receiving polluting elements.

### 1.5. ATTACHED DOCUMENTATION

Below is a list of the documents supplied with the machine and not present inside this manual.

- **EC Declaration of conformity**
- **Overall drawing and exploded assembly drawing**

### 1.6. WARRANTY

The warranty is **subject to the following general conditions**:

- the packaging must be opened and the installation performed by the Manufacturer's authorised and/or enabled technicians;
- The commissioning of the installed machine must be performed according to the instructions listed in this manual. (For technical assistance contact MasterWeld).
- the machine must be used within the limits stated in the contract and as indicated in the technical and/or business documentation.
- maintenance must be performed within the time and under the conditions provided by this manual, using original spare parts provide by the manufacturer (MasterWeld) and entrusting the work to qualified personnel.

The warranty **becomes void** in the event of:

- failure to comply with the safety standards;
- removal or tampering with the control and safety devices (guards, photocells, sensors, micro switches, etc.);
- changes to the safety conditions established by the Manufacturer;
- improper use of the machine;
- use of the machine by untrained and/or unauthorised personnel, or non-compliance with the operators' skills, as specified in the manual;
- changes or repairs made by the user without the Manufacturer's written authorisation;
- partial or total non-compliance with the instruction manual;
- power supply failures (electric power, compressed air, etc.);
- poor maintenance;
- use of non-original spare parts;
- extraordinary events like floods, fires (if not caused by the machines).

The warranty **does not cover**:

- materials such as: oils, cartridges for filters, lubricating grease.
- parts damaged by bad or improper use, by incorrect operator intervention, by unauthorised repair and tampering performed by the customer or by third party, or use of spare parts not supplied by **MasterWeld**



## 2. SAFETY INFORMATION



Carefully read the instructions in this manual and those applied directly on the machine.

### 2.1. RESIDUAL RISKS

RESIDUAL RISK	DESCRIPTION
Voltage hazard	Maintenance operations performed on live machine electrical parts entail the risk of electrocution.
Rotating elements hazard	Maintenance operations performed by inserting hands near the fan and with the machine powered, entail the risk of cutting the upper limbs.
Danger of crushing to lower limbs	Maintenance operations that require tipping the machine over, carried out without the use of personal protective devices, poses the risk of crushing lower limbs.
Dust inhalation danger	Maintenance operations performed inside the machine entail the risk of inhaling potentially carcinogenic dust.
Fire risk	Routine operations performed despite the prohibition expressed in paragraph "INTENDED USE/IMPROPER USE".
Risk of explosion	Routine operations performed despite the prohibition expressed in paragraph "INTENDED USE/IMPROPER USE".

### 2.2. GENERAL SAFETY WARNINGS

Personnel performing any type of intervention throughout the machine life-span, must have precise technical skills, special abilities due to acquired and recognised experience in the specific sector, be trained on how to use the necessary work tools and appropriate personal protective equipment, with reference to the applicable laws and in force in the place of use of the machine.

Lacking these requirements may cause damage to people's health and safety.

Use the personal protective equipment indicated in the manual.

### 2.3. SAFETY WARNINGS FOR HANDLING, ASSEMBLY AND INSTALLATION

Use adequate lifting equipment for handling and adopt all the safety precautions designed for activities carried out in the work site.

Machines fitted with wheels must be set up in safe conditions by engaging the brakes on the swivel wheels.

### 2.4. SAFETY WARNINGS FOR INTENDED USE

The machine was designed to work within the limits prescribed and indicated in the manual.

Using the machine to obtain production levels other than those described in this manual, shall be regarded as "IMPROPER USE".

Carefully read the instructions in paragraph "INTENDED USE/IMPROPER USE".

### 2.5. SAFETY WARNINGS FOR ADJUSTMENT/MAINTENANCE

Perform routine maintenance as provided for in this manual.




Disconnect the machine from the electricity sources before any maintenance intervention. Use the main switch to interrupt power and padlock it before any maintenance intervention.



## 2.6. SAFETY WARNINGS FOR ENVIRONMENTAL IMPACT

Do not disperse polluting material in the environment. Perform disposal in compliance with the relative laws in force. Incorrect cleaning or not replacing the filters may cause the polluting agent to be dispersed in the external environment.

## 2.7. SAFETY SIGNS PLACED ON THE MACHINE

SYMBOL	DESCRIPTION
	Rotation direction of the motor.
	Turn the fan off and disconnect the power before opening the filter.
	Voltage hazard.

---

## 3. HANDLING, ASSEMBLY AND INSTALLATION INFORMATION

### 3.1. DIRECTIONS FOR HANDLING THE PACKAGE

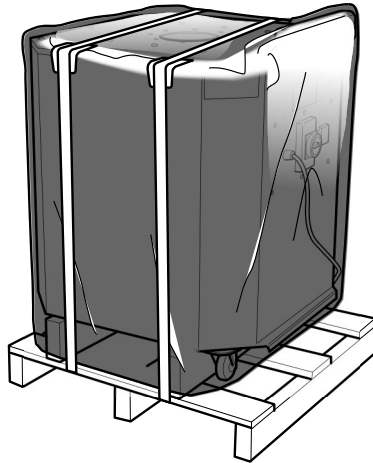
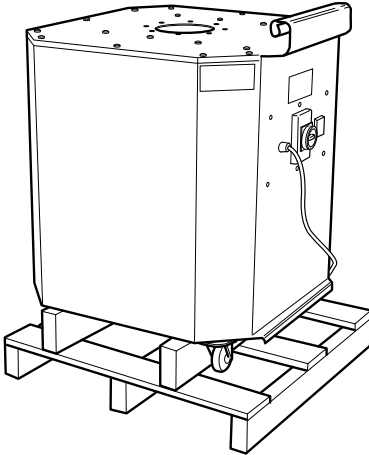


The standard MasterWeld packaging does not guarantee protection against rain, storage areas must be covered and not humid.



When handling materials, use suitable lifting devices and adopt all of the safety precautions required for the work site activities, also consult the technical data for the packaging described in the Packing List.

On the platform.



MACHINE MODEL	PACKAGING DIMENSIONS (a) x (b) x (h)	WEIGHT (KG)
MW1801 MOBILE	702 x 756 x 916	80
MW1901-HD WALL MOUNTED	702 x 756 x 916	80

Provide a delimited and adequate area, with level floor or surface, for unloading and depositing packs.

It is always advisable to keep the packs horizontal during handling in order to avoid losing stability and/or them overturning.

### 3.2. DIRECTIONS FOR MACHINE ASSEMBLY



Before assembly, visually inspect the material to make sure it was not damaged during transportation. If there are signs of damage, inform the seller within 10 days from delivery.



Before proceeding with assembly, read paragraph "MACHINE INSTALLATION METHODS".

During assembly, installation and maintenance, the screws must be tightened according to the values provided in the table.

The tightening torques must be applied slowly and constantly using a torque wrench. Said values must be decreased by 10% when using impact drivers.



The table refers to class 4.8 screws.

DIAMETER PER PITCH	SCREW SECTION mm <sup>2</sup>	SCREW TIGHTENING TORQUES Nm
6 x 1	20	3,5
8 x 1,25	36	8
10 x 1,5	58	17
12 x 1,75	84	28

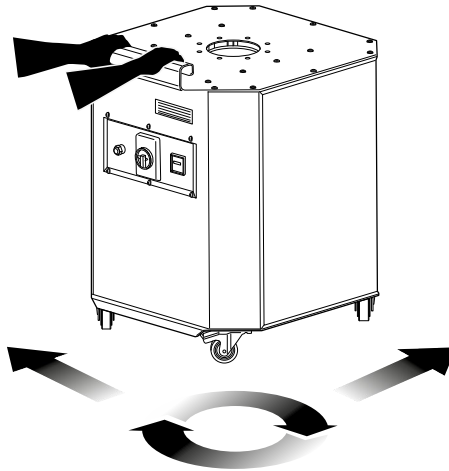
The table refers to class 8.8 screws.

DIAMETER PER PITCH	SCREW SECTION mm <sup>2</sup>	SCREW TIGHTENING TORQUES Nm
6 x 1	20	10,4
8 x 1,25	36	25
10 x 1,5	58	50
12 x 1,75	84	87

### 3.3. MACHINE HANDLING MODE

The machine is fitted with wheels for moving.

The machine has a tube frame of ergonomic shape suitable for handling.



### 3.4. MACHINE INSTALLATION MODE



Before installation, check that the overall dimensions required to perform work and maintenance are without constraint. See paragraph "DESCRIPTION OF PERIMETER AREAS".



Before proceeding with installation, make sure the wall is able to support the overall load of the machine and any optional features. See "Technical data - Weight" and "Description of perimeter areas".



Before starting the machine up, engage the brakes on the wheels.

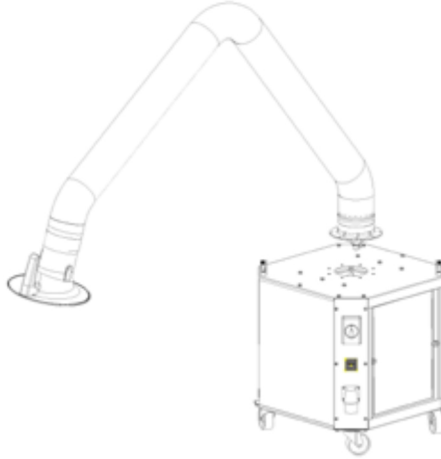


Do not start the machine without having first installed the articulated extractor arm.

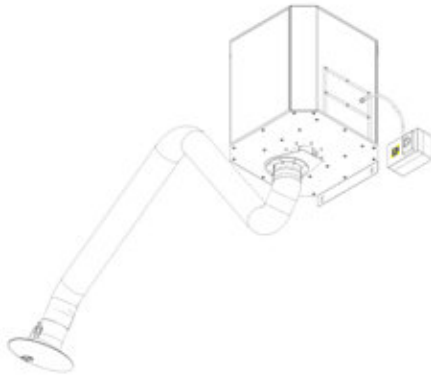
# MW1801 / MW 1901-HD

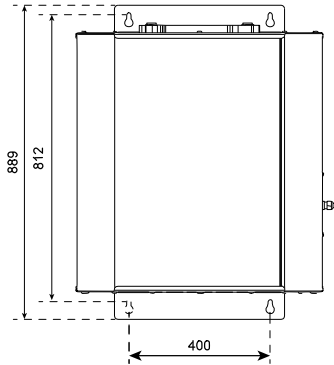
The machine must be installed in the immediate vicinity of utilities and connected by articulated suction arm.

**MW1801 c/w MasterFlex  
Arm**



**MW1901-HD c/w MasterFlex Wall Arm**





### 3.5. ELECTRICAL CONNECTION MODE



Verify the correct power supply before making the electrical connections.

The machine is fitted with a circuit breaker located in an IP54 casing. Make the connections by referring to the diagrams in paragraph “**TECHNICAL DATA/DIAGRAM AND ELECTRICAL VALUES**”.

The machine is fitted with a power cable with 4-pole plug.

Start and stop the machine for a short time to verify the proper rotation direction of the fan, indicated by the arrow on the motor.

### 3.6. METHODS FOR INSTALLING OPTIONAL PARTS



Prior to any installation procedure, read the instructions provided in the “**RECOMMENDATIONS FOR MAINTENANCE INTERVENTIONS**” paragraph carefully.

To replace optional parts, see paragraph “**LIST OF REPLACEABLE PARTS**”.

The following optional parts can be mounted on the machine:

- articulated extractor arm;
- polyester cartridge filter;
- aluminium-coated cartridge filter;
- Teflon-coated cartridge filter.

## 4. TECHNICAL INFORMATION

### 4.1. MANUFACTURER AND MACHINE IDENTIFICATION

The manufacturer's identification is stated on the identification plate and on the declaration of conformity.

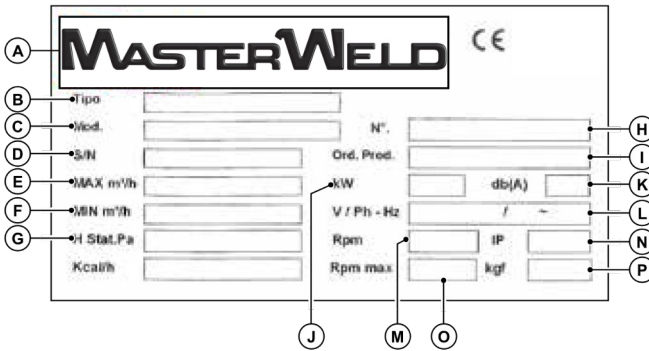
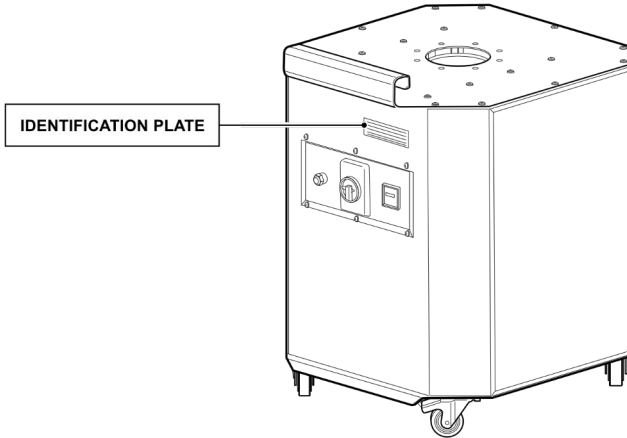
The table states the machine function and the models.

MACHINE	MODEL
FILTER	MW1801 1,1 kW
	MW1801 WALL 1,1 kW

### 4.1.1. MACHINE IDENTIFICATION PLATE

The plate indicates the Manufacturer's data and the technical references essential for proper and safe use.

1



POS.	DESCRIPTION
A	Manufacturer
B	Machine function
C	Machine model
D	Serial number
E	Maximum rated capacity
F	Minimum rated capacity
G	Pressure drop
H	Machine serial number
I	Production order no.
J	Motor power
K	Equivalent sound level decibel
L	Electric Phase/Volt - Frequency
M	Motor rpm



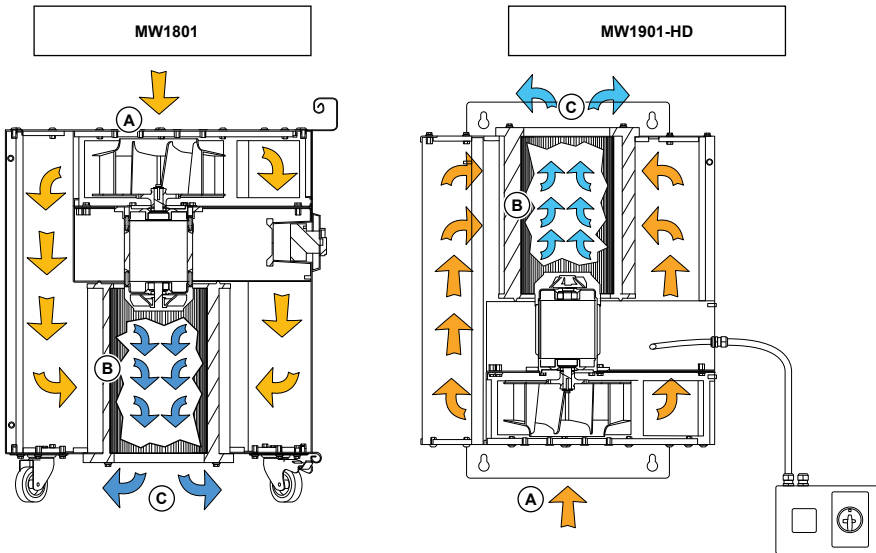
POS.	DESCRIPTION
N	Electrical protection rating
O	Max rpm of fan
P	Machine weight

## 4.2. MACHINE DESCRIPTION

The purpose of the machine is to extract and filter welding fumes and metal smoothing dust produced by mechanical industry processing.

The polluting elements are captured and carried towards the filter through rigid or flexible pipes connected to the hood.

## 4.3. OPERATING CYCLE DESCRIPTION



STAGE	DESCRIPTION
A	The air extracted through the pipe is conveyed by the fan in the body.
B	The dusty air passes through the cartridge filter that captures the dust.
C	The clean air outlet is under the machine.

## 4.4. TECHNICAL DATA

### 4.4.1. PERFORMANCE

	MW1801	MW1901-HD
Power [HP/kW]	1,5/1,1	1,5/1,1
Power supply voltage 3Ph [V]	400	400
Power supply voltage 1Ph [V]	/	/
Consumption [A]	2,54	2,54
Frequency [Hz]	50	50
Motor phase [Ph]	3	3
RPM	2846	2867
Type of fan	PR-PRM 300	PR-PRM 300
Max flow rate [m3/h]	1400	1350
Nominal min flow rate [m3/h]	825	903
Sound level [db(A)]	72	72
Weight [kg]	80	80

	MW1801 USA	MW1901-HD USA	MW1801 USA	MW1901-HD USA
Power [HP/kW]	1,5/1,1	1,5/1,1	1,5/1,1	1,5/1,1
Power supply voltage 3Ph [V]	440	440	/	/
Power supply voltage 1Ph [V]	/	/	230	230
Consumption [A]	2,3	2,3	4	4
Frequency [Hz]	60	60	60	60
Motor phase [Ph]	3	3	1	1
RPM	3420	3420	3420	3420
Type of fan	PR-PRM 270	PR-PRM 270	PR-PRM 270	PR-PRM 270
Max flow rate [m3/h]	1400	1400	1400	1400
Nominal min flow rate [m3/h]	825	825	825	825
Sound level [db(A)]	72	72	72	72
Weight [kg]	80	80	80	80

### 4.4.2. DIAGRAM AND ELECTRICAL VALUES

MACHINE MODEL	SIZE OF MOTOR CIRCUIT BREAKER (A)	SIZE AND TYPE OF FUSE LINE (A)
MW1801	1,8/2,5	8
MW1901-HD	1,8/2,5	8

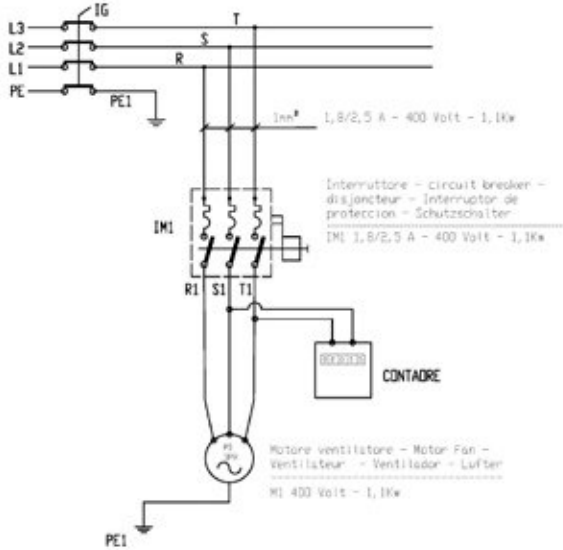


# MW1801 / MW 1901-HD

LINEA - FEEDING LINE - LIGNE  
LEITUNG

400 Vac 3Ph+PE 50Hz

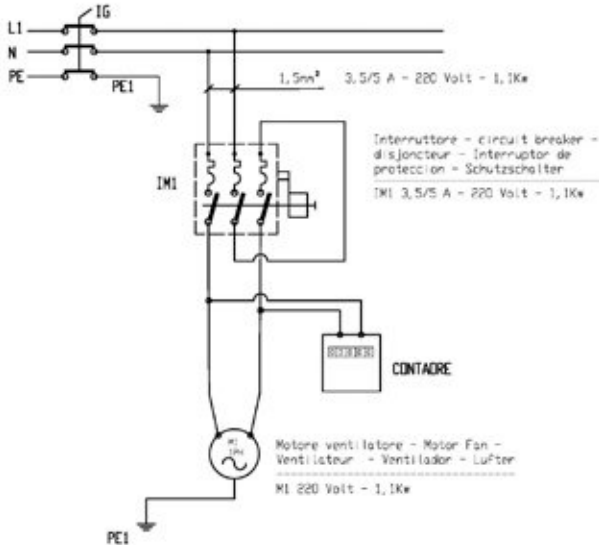
**WIRING DIAGRAM**  
400V 50Hz 3Ph



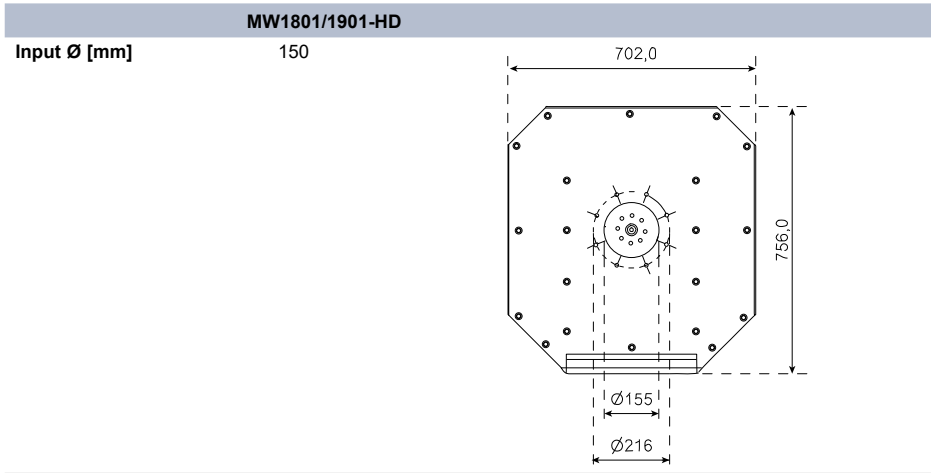
LINEA - FEEDING LINE - LIGNE  
LEITUNG

220 Vac 1Ph+PE 60Hz

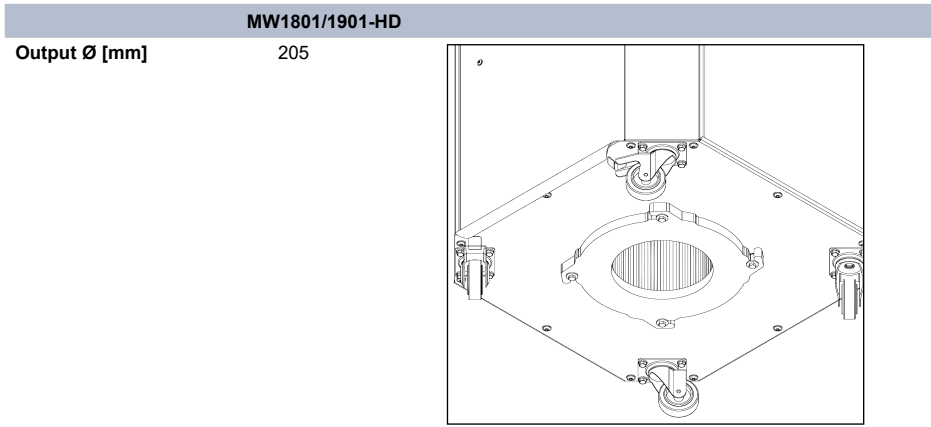
**WIRING DIAGRAM**  
220V 60Hz 1Ph



#### 4.4.3. SIZE OF AIR INLET



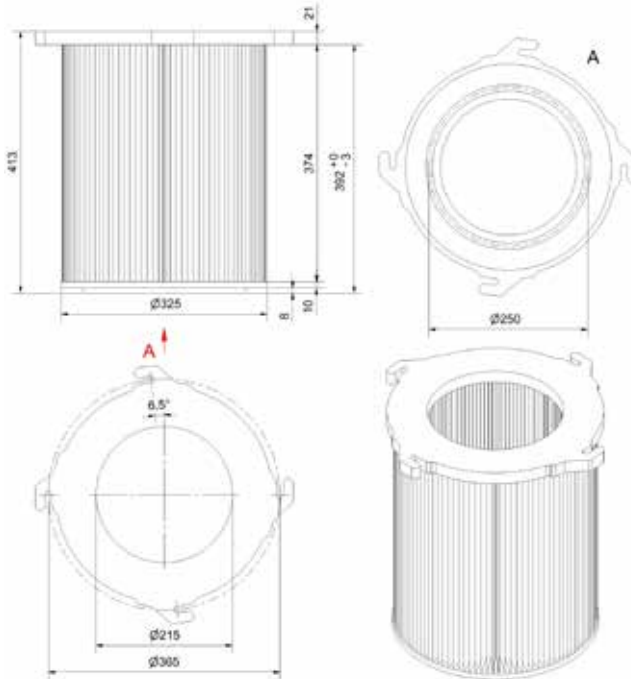
#### 4.4.4. SIZE OF AIR OUTLET





## 4.4.5. FILTER

MW1801/1901-HD	
Filter dimension [mm]	Ø 325 x 400
Type of filter	Cartridge
Type of filtering fabric	100% Cellulose 7033
BIA rating	"L"
Filtering surface [m <sup>2</sup> ]	12
Filtering rate [%]	99



## 4.5. SAFETY DEVICE DESCRIPTION

The machine is equipped with a general ON-OFF switch with safety block.

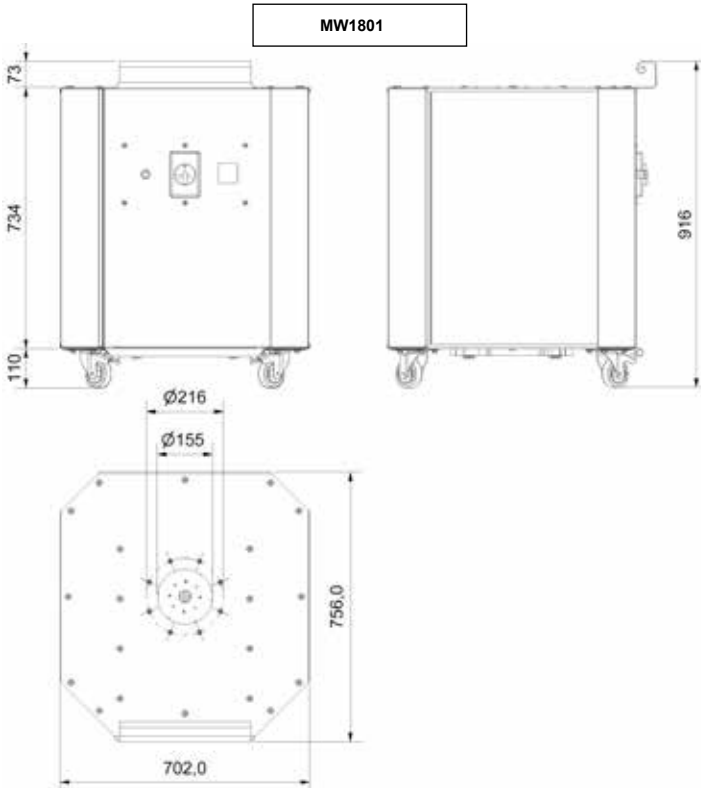


**Padlock the main switch block before any maintenance intervention.**

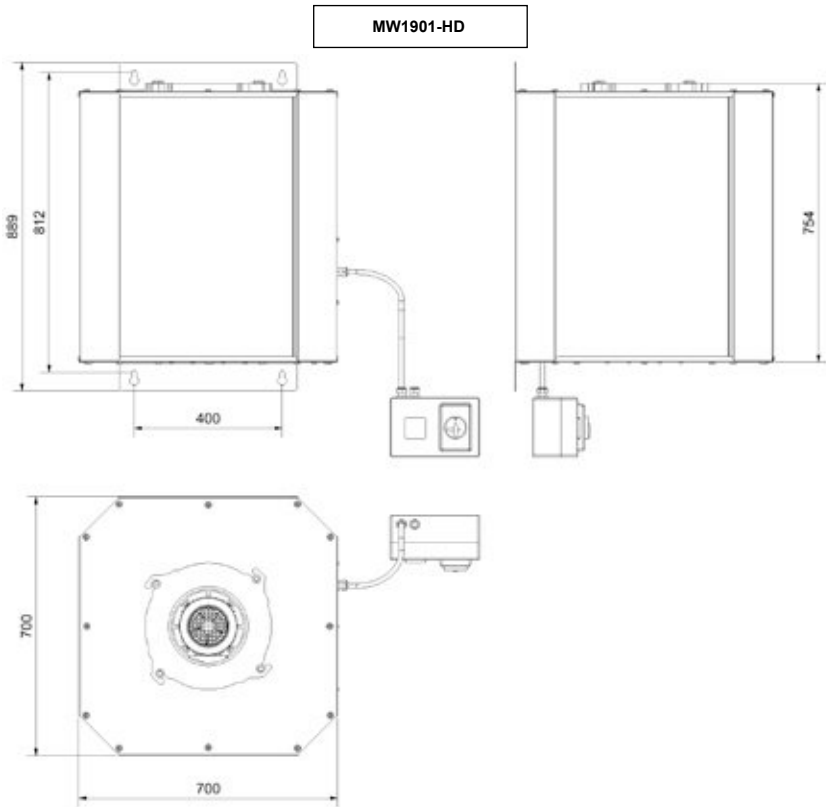
#### 4.6. DESCRIPTION OF PERIMETER AREAS



During installation, take into account the dimensions of any optional parts.



# MW1801 / MW 1901-HD



## 5. INFORMATION ON USE

### 5.1. INTENDED USE/IMPROPER USE

OPERATION	TYPE OF TREATED AIR		WORK ENVIRONMENT
	INTENDED	IMPROPER	
FILTRATION of:	<ul style="list-style-type: none"> <li>• Welding fumes</li> <li>• Metal powders</li> </ul>	<ul style="list-style-type: none"> <li>• Drawing in liquids</li> <li>• Working in environments where an explosion hazard exists</li> <li>• Flammable or explosive vapour</li> <li>• Potentially explosive metal powder</li> <li>• Powder that may be explosive by nature or reaction.</li> </ul>	Produced during mechanical industry processing.



The machine is designed to operate with pressure filtering.



Any other machine use must be authorised by MasterWeld in advance. In the absence of such written authorisation, the Manufacturer shall deny any liability for damage caused to people or property and the warranty on the line and the machines supplied shall cease.

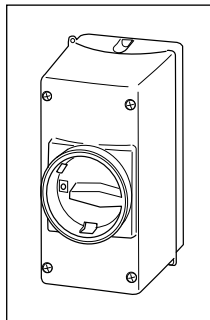


The use of flammable sprays, abrasive grinders or other utensils that can generate sparks or open flames, during welding operations, can cause the filtering fabric to catch fire.

### 5.2. START-UP AND STOP

- ON = power on
- OFF = power off

SWITCH OPERATION  
MAIN WITH BLOCK



## 6. INFORMATION ON ADJUSTMENTS

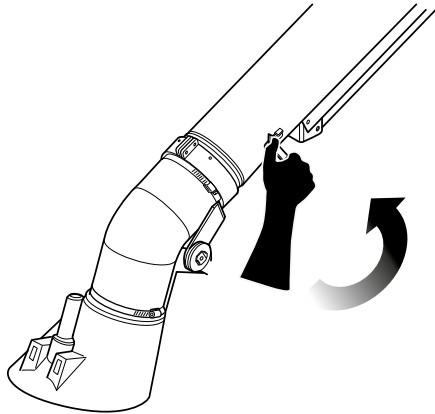
### 6.1. RECOMMENDATIONS FOR ADJUSTMENTS



The flow rate regulating gate is not an integral part of the machine.

### 6.2. FLOW RATE REGULATION

To regulate the air flow rate, close the gate to decrease it.



See paragraph “**OPTIONAL FEATURES INSTALLATION METHODS**”.

## 7. MAINTENANCE INFORMATION

### 7.1. RECOMMENDATIONS FOR MAINTENANCE INTERVENTIONS



Carefully read the instructions in this manual before any maintenance intervention.



Perform maintenance activities using the personal protective equipment described in the manual.

### 7.2. TABLE OF SCHEDULED MAINTENANCE INTERVALS

Routine maintenance operations are to be performed at the date shown in the table.

OPERATION	24 hours	40 hours	250 hours	500 hours	1000 hours	1500 hours
Check that the filtering efficiency is good.	.					
Check how clean the filter is and in case replace it.		.				
Make sure there are no dust deposits and possibly clean them.	.					
Check and possibly replace torn or scratched filters.				.		
Make sure there are no anomalous vibrations affecting the fan. If so, check the fan and clean it.					.	
Check the status of the electric power supply cables.						.
Check the fill level of the dust containers.	.					
Check how clean the area around the machine is.			.			

### 7.3. CLEANING



The information provided below serves the purpose of helping perform cleaning activities inside the machine to restore operation and efficiency.

To access the inside of the machine, remove the filtering elements.

See paragraph “**LIST OF REPLACEABLE PARTS**”.

The machine does not have a dust collection container. If there is any dust build-up on the inside walls, use an extraction-filtering unit, which must be purchased separately.

## 8. INFORMATION ON TROUBLESHOOTING

The following information has the purpose of helping to identify the anomalies and restore the machine operation and efficiency.

DEFECT	CAUSE	POSSIBLE SOLUTIONS
The emitted air is not sufficiently clean	Amount and kind of powder do not match the ones in the project.	Redefine the project and replace the filtering equipment.
Decrease of the vacuumed air flow rate.	Filters not clean.	Take down the filtering elements and clean them with machines specifically-designed not to release any polluting dust. Replace the filtering parts if necessary.
	Pipe connected to obstructed collection systems.	Remove the obstacles
Dust escaping after a period of good operation	Break or tear of the filtering elements.	Proceed with its removal and replacement.
	Fixing the filtering elements.	Proceed with tightening.
The fan vibrates	The impeller is dirty	Disassemble and clean the impeller.
	The impeller has suffered an impact.	Re-balance or replace the impeller.
The fan turns but vacuuming is insufficient.	The rotation direction is not correct.	Reverse the two motor connection phases. Act on the phase inversion of the plug.
	Obstructed air ducts.	Remove the obstacles.
	Any shutters on the collection elements closed or partially closed.	Open the shutters.
No start-up	Incorrect connection.	Check connections to the mains. Check proper connection to the motor terminal board.
	Incorrect direction of rotation of the motor.	Switch around one of the phases on the power supply. (Motor terminal block, Main switch, power plug.....)
The breaker for the electrical motor trips and stops the machine.	The breaker has an incorrect setting value.	Set the tripping value to the absorption value provided on the electrical motor plate.
	Short circuit on electrical motor.	Replace the motor.

## 9. INFORMATION ON REPLACEMENTS

### 9.1. REQUESTING AFTER-SALES ASSISTANCE

If you need to order spare parts, proceed as follows:

1. Photocopy the form laid out below.
2. Complete the provided spaces.
3. Contact the area distributor or the assistance and spare parts department of **MasterWeld**, sending a copy of the form completely filled out to the indicated e-mail address or fax number.

In answer to your request, you will be sent an offer including the price, delivery and sales conditions as soon as possible.



**ASSISTANCE AND SPARE PARTS DEPARTMENT**  
**MasterWeld, Olympic House, Southmead Park, Collett,**  
**Didcot, Oxfordshire, United Kingdom, OX11 7WB**  
**Tel: +44 (0) 1235 510 717 web: www.masterweld.co.uk**

### Spare Parts Offer Request Form

Goods sending address	Invoice sending address
-----------------------	-------------------------

Name of requesting party	Phone number	Delivered through:
	Fax number	Date

CODE MACHINE SERIAL NUMBER	YEAR OF MANUFACTURE	POS. NO.	DESCRIPTION	QUANTITY





## 9.2. RECOMMENDATIONS FOR REPLACEMENT INTERVENTIONS



The machine replacement or repair operations are reserved to qualified, trained and authorised personnel, employed by the Manufacturer or by the Authorised Assistance Centre.



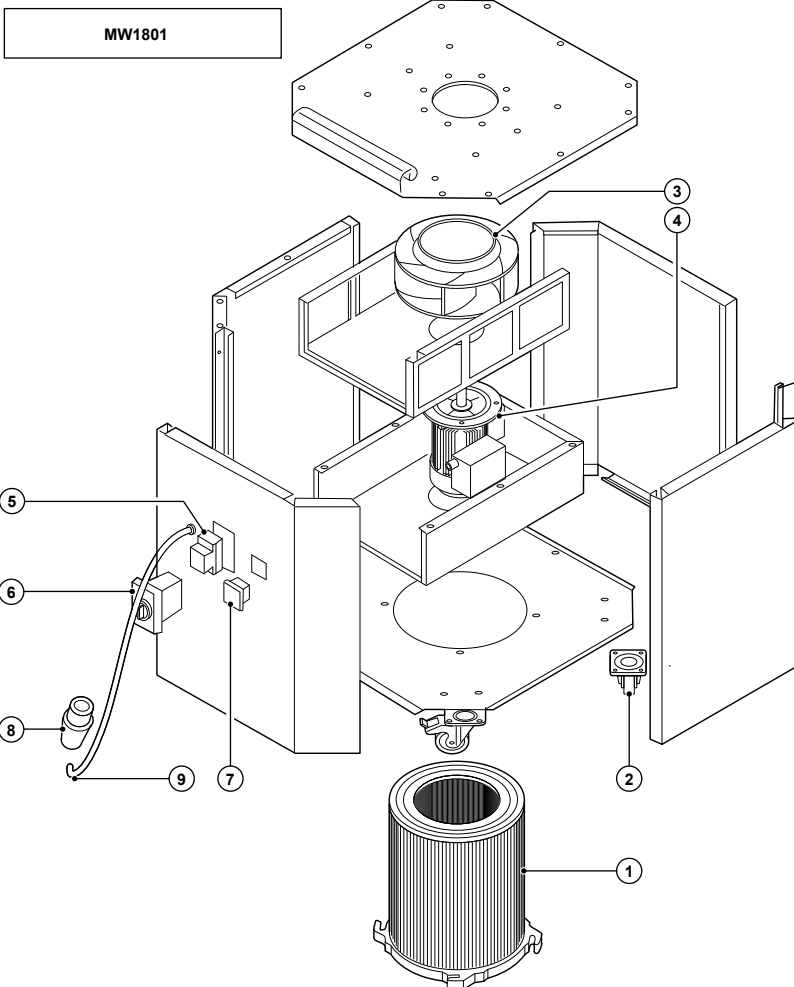
Change the filters using the protective equipment described in the manual.



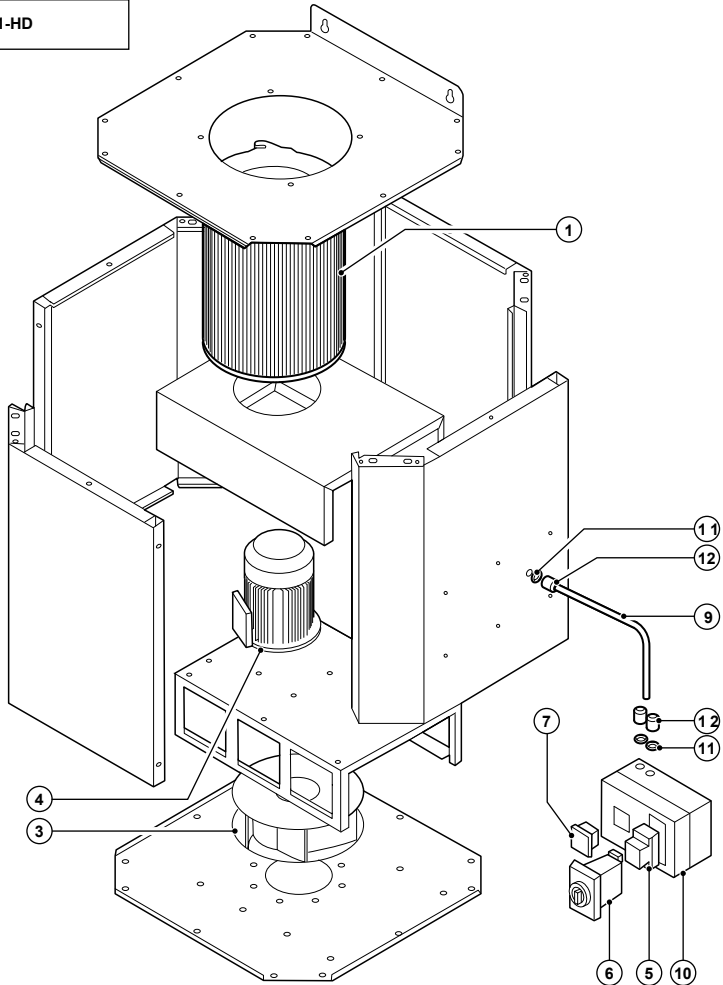
Prior to changing the filter, the motor or the fan, remove the optional part assembled on the extraction intake.

## 9.3. LIST OF REPLACEABLE COMPONENTS

### 9.3.1. STANDARD



MW1901-HD



**POS. ELEMENT**

- |    |                                  |
|----|----------------------------------|
| 1  | Cartridge filters code S.1601-CF |
| 2  | Rotary wheel                     |
| 3  | Fan                              |
| 4  | Motor                            |
| 5  | Circuit breaker switch           |
| 6  | Switch box                       |
| 7  | Hour-meter                       |
| 8  | Plug                             |
| 9  | Electrical cable                 |
| 10 | Instrument box                   |

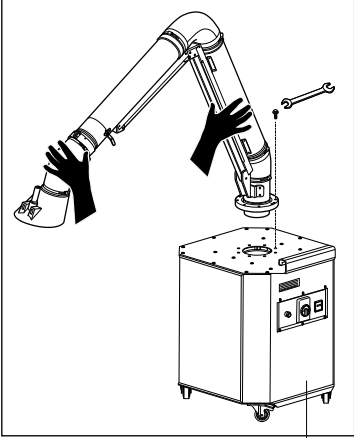


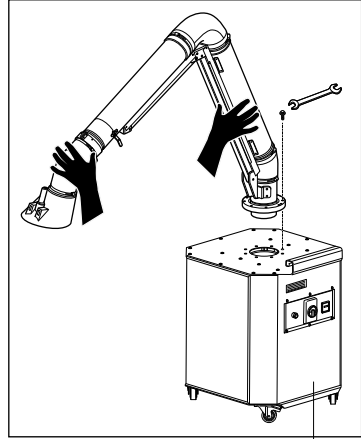
POS.	ELEMENT
------	---------

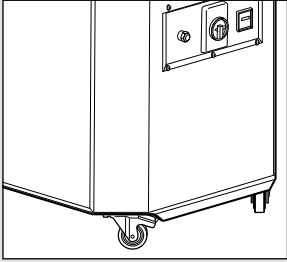
- |    |                  |
|----|------------------|
| 11 | Feed-through nut |
| 12 | Feed-through     |

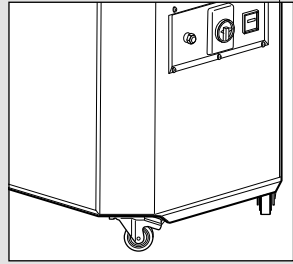
## TAKING DOWN AND PUTTING IN CARTRIDGE FILTERS

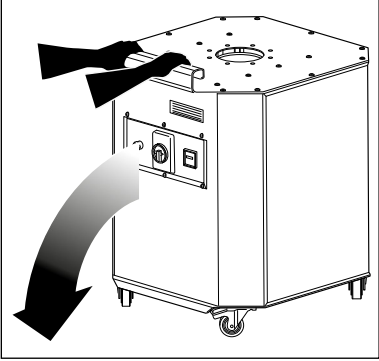
STEP	ACTION	PICTURE
------	--------	---------

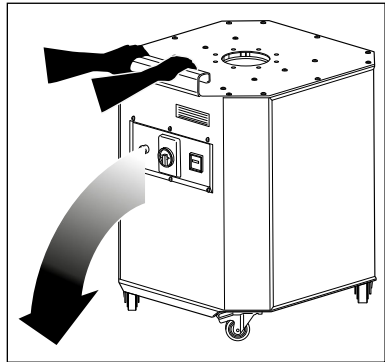
- |   |  |   |
|---|--|---|
| 1 | Take the articulated arm or any other pipe down from the machine unit. |  |
|---|--|---|



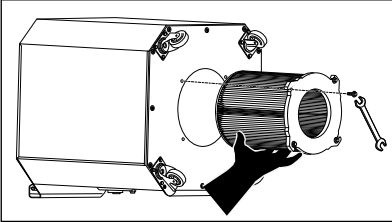
- |   |                                  |  |
|---|----------------------------------|--|
| 2 | Engage the brakes on the wheels. |  |
|---|----------------------------------|--|



- |   |  |  |
|---|--|--|
| 3 | Place the machine on its side, the one with the electric controls. |  |
|---|--|--|

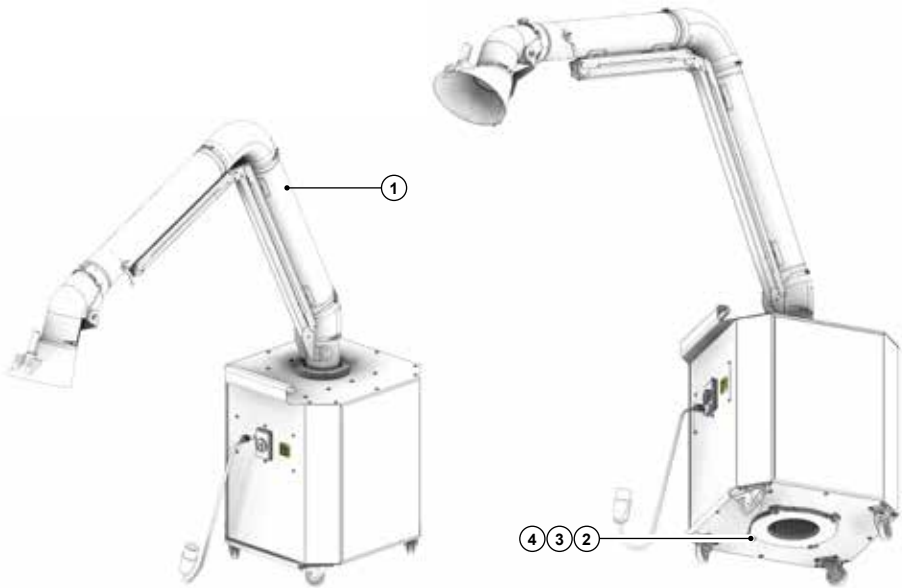


- |   |   |  |
|---|---|--|
| 4 | Take out the screws that secure the cartridge to the surface. |  |
|---|---|--|

STEP	ACTION	PICTURE
5	Take the filter out and place it in sealed bags.	

**9.3.2. OPTIONAL**

POS.	ELEMENT
1	Articulated extractor arm Evolution
2	Polyester filtering cartridge
3	Aluminium-coated filtering cartridge
4	Teflon-coated filtering cartridge



**9.4. SCRAPPING AND DECOMMISSIONING**

The machine does not have any particular problems as regards to decommissioning. Proper care shall be taken to prevent unauthorised personnel from starting the machine.  
 Comply with the laws in force in the country of use, for any legal and tax aspects (any reports, complaints, etc...).



## The Welders' Ultimate Choice



---

### MasterWeld Equipment (UK) Limited

Olympic House, Southmead Park, Collett, Didcot, Oxfordshire, United Kingdom, OX11 7WB

Website: [www.masterweld.co.uk](http://www.masterweld.co.uk)

